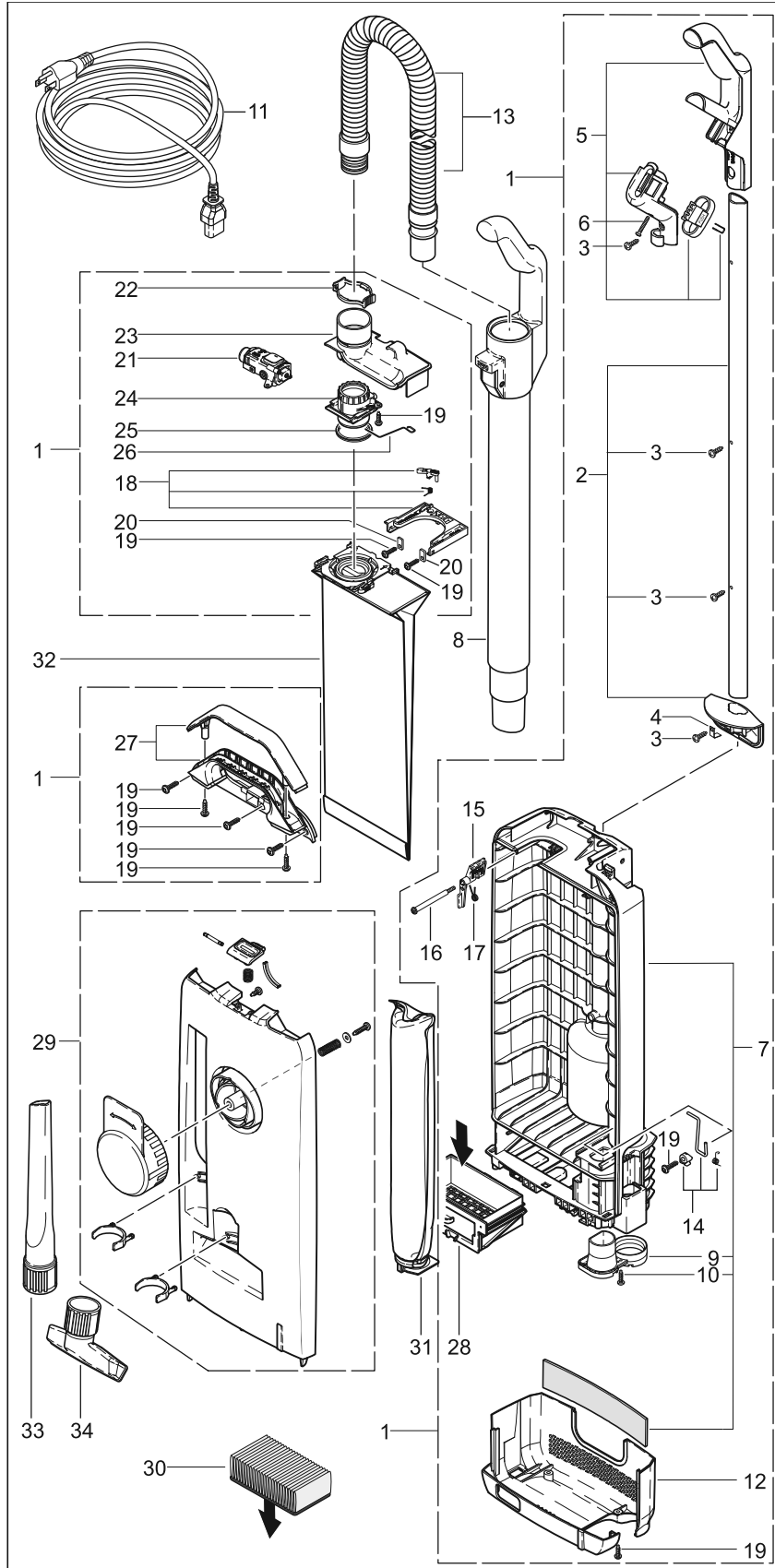


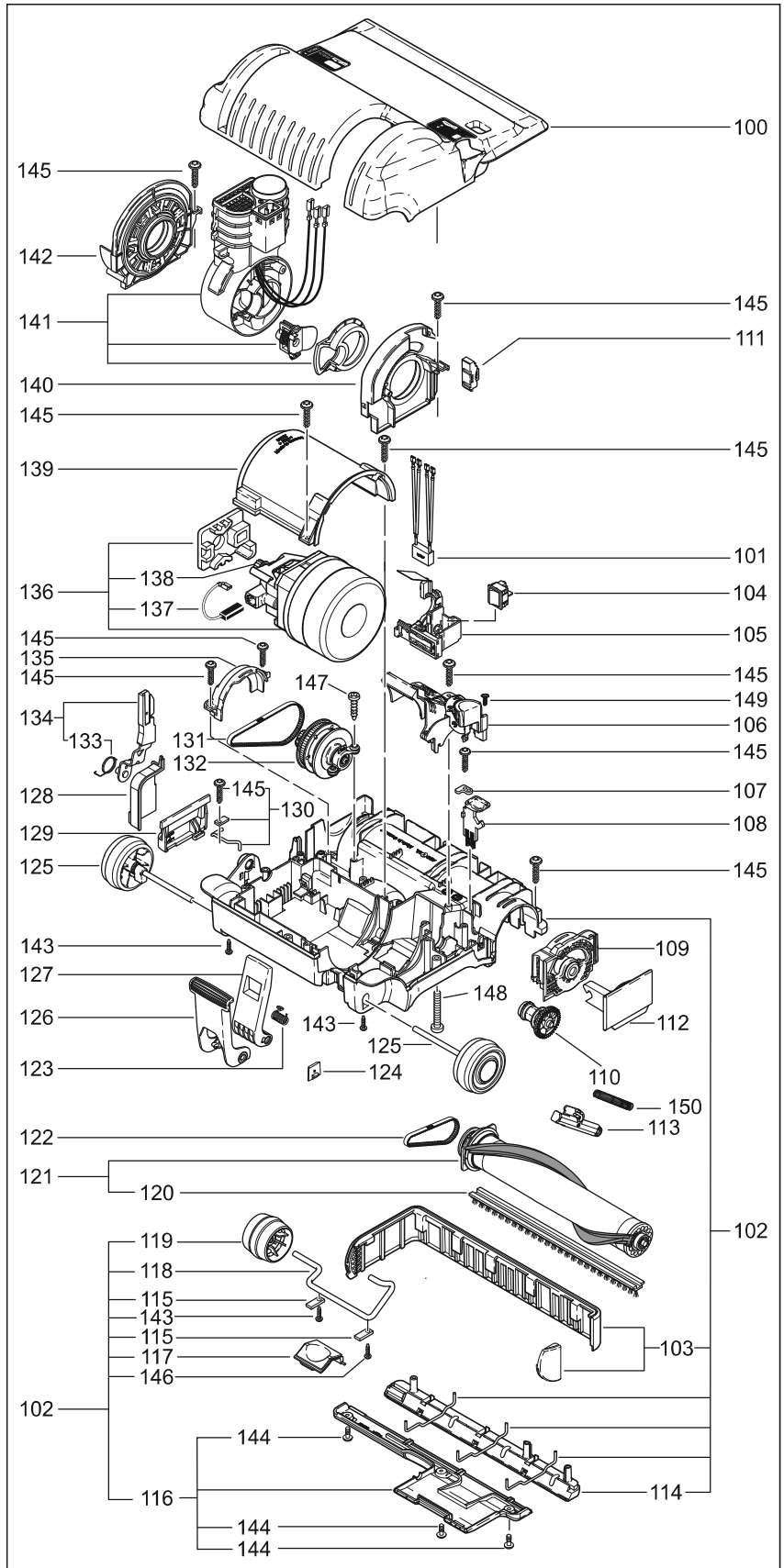
# PARTS

# Upper Housing



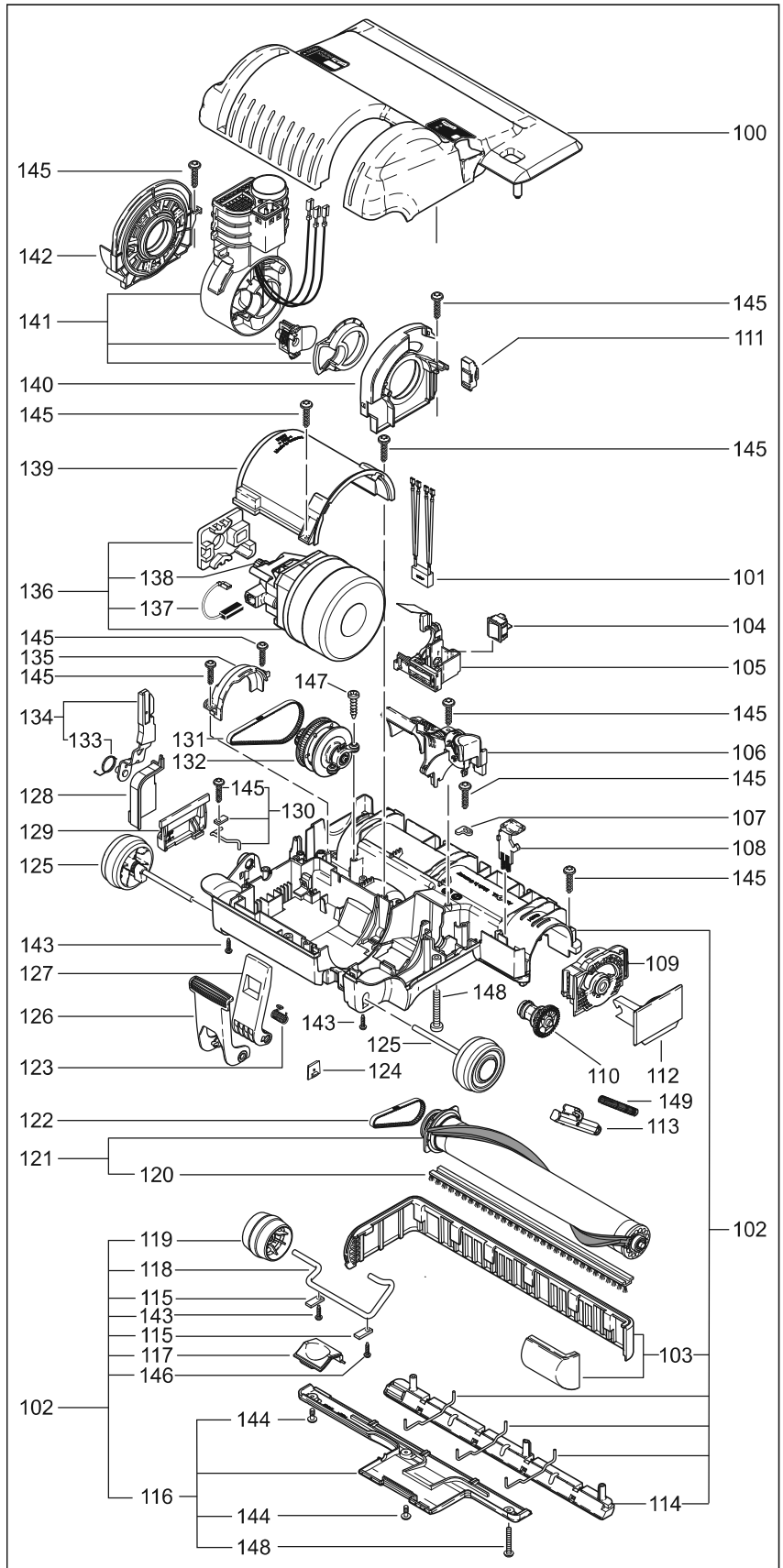
REF	PART NO.	PRV. NO.	DESCRIPTION	NOTES
1	86400160	50100KA	DUST BAG HOUSING KPL	
2	86394310	50145KA	HANDLE TUBE INCL. TUBE COVER	
3	86144830	0127ER	SCREW, M4 X 10	
4	86394470	50147ER	CLAMP	
5	86394480	50153SWER	HANDLE CPL.	
6	86397550	0104ER	SCREW 3.9 X 25	
7	86394320	50200BG	DUSTBAG HOUSING	
8	86394520	50165SW	EXTENSION TUBE	
9	86394330	50105HG	CONNECTING TUBE	
10	86394550	0107ER	SCREW 2,9 X 13	
11	86397560	501824	MAIN CABLE YELLOW 40FT 120V	
12	86394340	50118BG	DUST BAG HOUSING BUMPER BASE	
13	86142650	5040SB	HOSE, SENSOR SILVER	
14	86394350	50205ER	FILTER SAFETY CATCH CPL.	
15	86394360	50122ZG	DUST BAG LEVER	
16	86394370	50123ER	AXLE	
17	86394380	50124ER	LEG SPRING	
18	86397830	50125ER	BAG HOLDER	
19	86363370	01036ER	SCREW M4 X 14	
20	86140000	2014ER	CLAMP CONNECTING ROD (AXLE)	
21	86394430	50209ER	FILTER INDICATOR	
22	86144620	5424KG	RETAINING RING, DK.GRY	
23	86394390	50130BG	RECESSED GRIP	
24	86394400	50131BG	CONNECTION ADAPTER	
25	86144930	5289	SEAL, FILTER TUBE	
26	86394440	50142ER	ANTISTATIC WIRE	
27	86394450	50143BGER	CARRY HANDLE	
28	86394500	50216ZG	BOX EXHAUST FILTER	
29	86394490	50215BG	BACK COVER CPL.	
30	86394540	50169N	HEPA EXHAUST FILTER NON OVERPRINTED	
31	86143300	5036JE	MICRO HYGENE FILTER	
32	86284840	5300NN	FILTER BAG PACK	
33	86319300	1092SW	CREVICE NOZZLE BLK	
34	86319290	1491SW	UPHOLSTERY NOZZLE BLK	

# CVU 30 Power Head



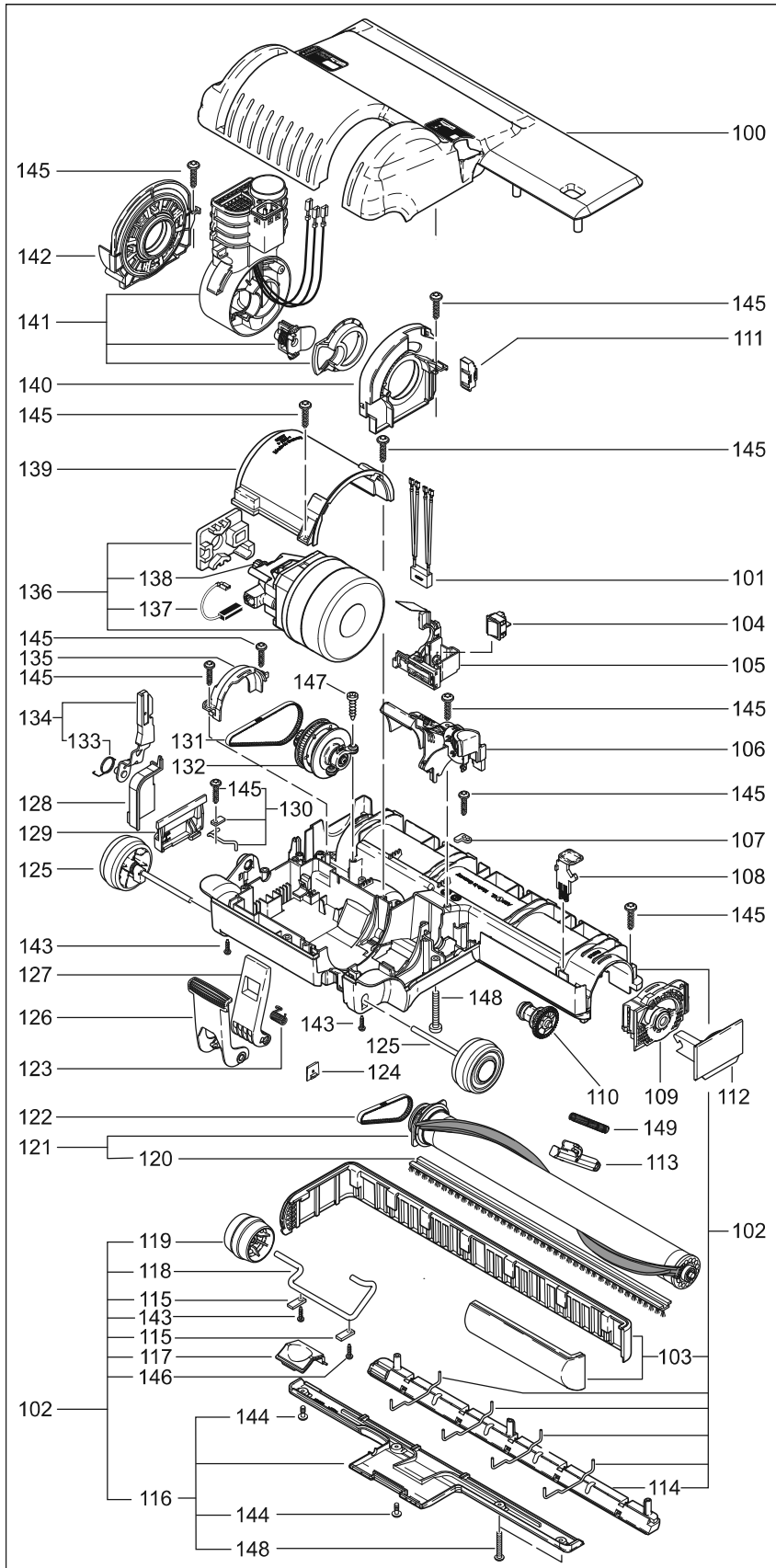
REF	PART NO.	PRV. NO.	DESCRIPTION	NOTES
100	86394410	50401BGKA	POWER HEAD COVER KÄRCHER CVU 30/1	
101	86397260	1013WI	SUPPRESSOR KIT	
102	86397570	50414WI	CHASSIS 12"	
103	86397580	50313sw	BUMPER	
104	86397390	05112WI	SWITCH	
105	86397480	50443UL	SWITCHING UNIT	
106	86397470	50308WI	COVER FOR AIR CHANNEL	
107	86140010	2856	CLAMP	
108	86397590	50403kgER	BRUSH ROLLER RELEASE	
109	86397330	50356sw	BEARING BLOCK R.H.	
110	86397510	50367hg	POSITION CAMS	
111	86146220	2833	THRUST MEMBER	
112	86397350	50352sw	BRUSH STRIP COVER	
113	86146230	2834	THRUST MEMBER	
114	86397610	50404gsER	FRONT BOTTOM PLATE	
115	86137920	2849	AXLE CLAMP	
116	86397600	50310gsER	REAR BOTTOM PLATE	
117	86400150	2868ZG	ACCESS DOOR CPL.	
118	86143850	2861	PILE ADJUSTMENT AXLE	
119	86143920	5174sw	PILE ADJUSTMENT WHEEL BLK	
120	86397630	50415	BRUSH STRIP 12"	
121	86397620	50470WI	BRUSH ROLLER 12"	
122	86005000	5110	BELT HTD-II, 219 3M	
123	86397460	50332ER	SPRING	
124	86320320	2869sw	RUBBING PLATE	
125	86397280	50348WI	AXLE AND WHEEL	
126	86397440	50330zg	FOOT PEDAL	
127	86397450	50331hg	CATCH PEDAL	
128	86397270	50334sw	COVERING CAP	
129	86397360	50306zg	POWER SWITCH BUTTON	
130	86397490	50371ER	SWITCH ROD	
131	86138230	5379	BELT 312 3M-HTDII-6 (RPL 5109)	
132	86397520	50445ER	SENSOR	
133	86145460	5107-1	SUPPORT SPRING	
134	86397400	50438hgER	SUPPORT LEVER WITH SPRING	
135	86397330	50355hg	BEARING BLOCK L.H.	
136	86397370	50465ER	BRUSH MOTOR 120V	
137	86139400	05117S	CARBON BRUSH SET 100/120V	
138	86143580	5117/1	MOTOR PULLEY	
139	86397430	50441UL	MOTOR COVER	
140	86397420	50440ER	SWIVEL SUPPORT R.H.	
141	86397380	50436hgWI	SWIVEL NECK CPL. 3 -WIRE	
142	86397410	50439ER	SWIVEL SUPPORT L.H.	
143	86147030	0102ER	SCREW, M3.9 X 13 DIN7981	
144	86144850	0197ER	SCREW, M4 X 12 HWH	
145	86144780	01016ER	SCREW, M4 X16-T20 SS	
146	86397540	01010ER	SCREW AM4X16	
147	86397550	0104ER	SCREW 3,9X25	
148	86147170	0176ER	SCREW, M4-.7 X 30 PHPNHMS ZN DIN7985	
149	86397650	01042ER	SCREW 4X10	
150	86145250	2867	SPRING	

# CVU 36 Power Head



REF	PART NO.	PRV. NO	DESCRIPTION	NOTES
100	86394420	50431BGKA	POWER HEAD COVER KÄRCHER PROF.CVU 36/1	
101	86397260	1013WI	SUPPRESSOR KIT	
102	86397660	50444WI	CHASSIS 14"	
103	86397670	50314sw	BUMPER	
104	86397390	05112WI	SWITCH	
105	86397480	50443UL	SWITCHING UNIT	
106	86397470	50308WI	COVER FOR AIR CHANNEL	
107	86140010	2856	CLAMP	
108	86397290	50433kgER	BRUSH ROLLER RELEASE	
109	86397340	50356sw	BEARING BLOCK R.H.	
110	86397510	50367hg	POSITION CAMS	
111	86146220	2833	THRUST MEMBER	
112	86397350	50352sw	BRUSH STRIP COVER	
113	86146230	2834	THRUST MEMBER	
114	86397690	50434gsER	FRONT BOTTOM PLATE	
115	86137920	2849	AXLE CLAMP	
116	86397680	50311gsER	REAR BOTTOM PLATE	
117	86400150	2868ZG	ACCESS DOOR CPL.	
118	86143850	2861	PILE ADJUSTMENT AXLE	
119	86143920	5174sw	PILE ADJUSTMENT WHEEL BLK	
120	86002440	2046	BRUSH STRIP, 14"	
121	86397700	50471WI	BRUSH ROLLER 14"	
122	86005000	5110	BELT HTD-II, 219 3M	
123	86397460	50332ER	SPRING	
124	86320320	2869sw	RUBBING PLATE BLK	
125	86397280	50348WI	AXLE AND WHEEL	
126	86397440	50330zg	FOOT PEDAL	
127	86397450	50331hg	CATCH PEDAL	
128	86397270	50334sw	COVERING CAP	
129	86397360	50306zg	POWER SWITCH BUTTON	
130	86397490	50371ER	SWITCH ROD	
131	86138230	5379	BELT 312 3M-HTDII-6 (RPL 5109)	
132	86397520	50445ER	SENSOR	
133	86145460	5107-1	SUPPORT SPRING	
134	86397400	50438hgER	SUPPORT LEVER WITH SPRING	
135	86397330	50355hg	BEARING BLOCK L.H.	
136	86397370	50465ER	BRUSH MOTOR 120V	
137	86139400	05117S	CARBON BRUSH SET 100/120V	
138	86143580	5117/1	MOTOR PULLEY	
139	86397430	50441UL	MOTOR COVER	
140	86397420	50440ER	SWIVEL SUPPORT R.H.	
141	86397380	50436hgWI	SWIVEL NECK CPL. 3 -WIRE	
142	86397410	50439ER	SWIVEL SUPPORT L.H.	
143	86147030	0102ER	SCREW, M3.9 X 13 DIN7981	
144	86144850	0197ER	SCREW, M4 X 12 HWH	
145	86144780	01016ER	SCREW, M4 X16-T20 SS	
146	86397540	01010ER	SCREW AM4X16	
147	86397550	0104ER	SCREW 3,9X 25	
148	86147170	0176ER	SCREW, M4-.7 X 30 PHPNHMS ZN DIN7985	
149	86145250	2867	SPRING	

# CVU 46 Power Head





REF	PART NO.	PRV. NO.	DESCRIPTION	NOTES
100	86397530	50461BGKA	POWER HEAD COVER KÄRCHER PROF.CVU 46/1	
101	86397260	1013WI	SUPPRESSOR KIT	
102	86397240	50464WI	CHASSIS 18"	
103	86397250	50315sw	BUMPER	
104	86397390	05112WI	SWITCH	
105	86397480	50443UL	SWITCHING UNIT	
106	86397470	50308WI	COVER FOR AIR CHANNEL	
107	86140010	2856	CLAMP	
108	86397290	50433kgER	BRUSH ROLLER RELEASE	
109	86397340	50356sw	BEARING BLOCK R.H.	
110	86397510	50367hg	POSITION CAMS	
111	86146220	2833	THRUST MEMBER	
112	86397350	50352sw	BRUSH STRIP COVER	
113	86146230	2834	THRUST MEMBER	
114	86397310	50463gsER	FRONT BOTTOM PLATE	
115	86137920	2849	AXLE CLAMP	
116	86397300	50312gsER	REAR BOTTOM PLATE	
117	86400150	2868ZG	ACCESS DOOR CPL.	
118	86143850	2861	PILE ADJUSTMENT AXLE	
119	86143920	5174sw	PILE ADJUSTMENT WHEEL BLK	
120	86001640	4028	BRUSH STRIP 18"	
121	86397320	50472WI	BRUSH ROLLER 18"	
122	86005000	5110	BELT HTD-II, 219 3M	
123	86397460	50332ER	SPRING	
124	86320320	2869sw	RUBBING PLATE	
125	86397280	50348WI	AXLE AND WHEEL	
126	86397440	50330zg	FOOT PEDAL	
127	86397450	50331hg	CATCH PEDAL	
128	86397270	50334sw	COVERING CAP	
129	86397360	50306zg	POWER SWITCH BUTTON	
130	86397490	50371ER	SWITCH ROD	
131	86138230	5379	BELT 312 3M-HTDII-6 (RPL 5109)	
132	86402330	50445/1ER	SENSOR	
133	86145460	5107-1	SUPPORT SPRING	
134	86397400	50438hgER	SUPPORT LEVER WITH SPRING	
135	86397330	50355hg	BEARING BLOCK L.H.	
136	86397370	50465ER	BRUSH MOTOR 120V	
137	86139400	05117S	CARBON BRUSH SET	
138	86143580	5117/1	MOTOR PULLEY	
139	86397430	50441UL	MOTOR COVER	
140	86397420	50440ER	SWIVEL SUPPORT R.H.	
141	86397380	50436hgWI	SWIVEL NECK CPL. 3 -WIRE	
142	86397410	50439ER	SWIVEL SUPPORT L.H.	
143	86147030	0102ER	SCREW, M3.9 X 13 DIN7981	
144	86144850	0197ER	SCREW, M4 X 12 HWH	
145	86144780	01016ER	SCREW, M4 X16-T20 SS	
146	86397540	01010ER	SCREW AM4X16	
147	86397550	0104ER	SCREW 3,9X 25	
148	86147170	0176ER	SCREW, M4-.7 X 30 PHPNHMS ZN DIN7985	
149	86145250	2867	SPRING	

